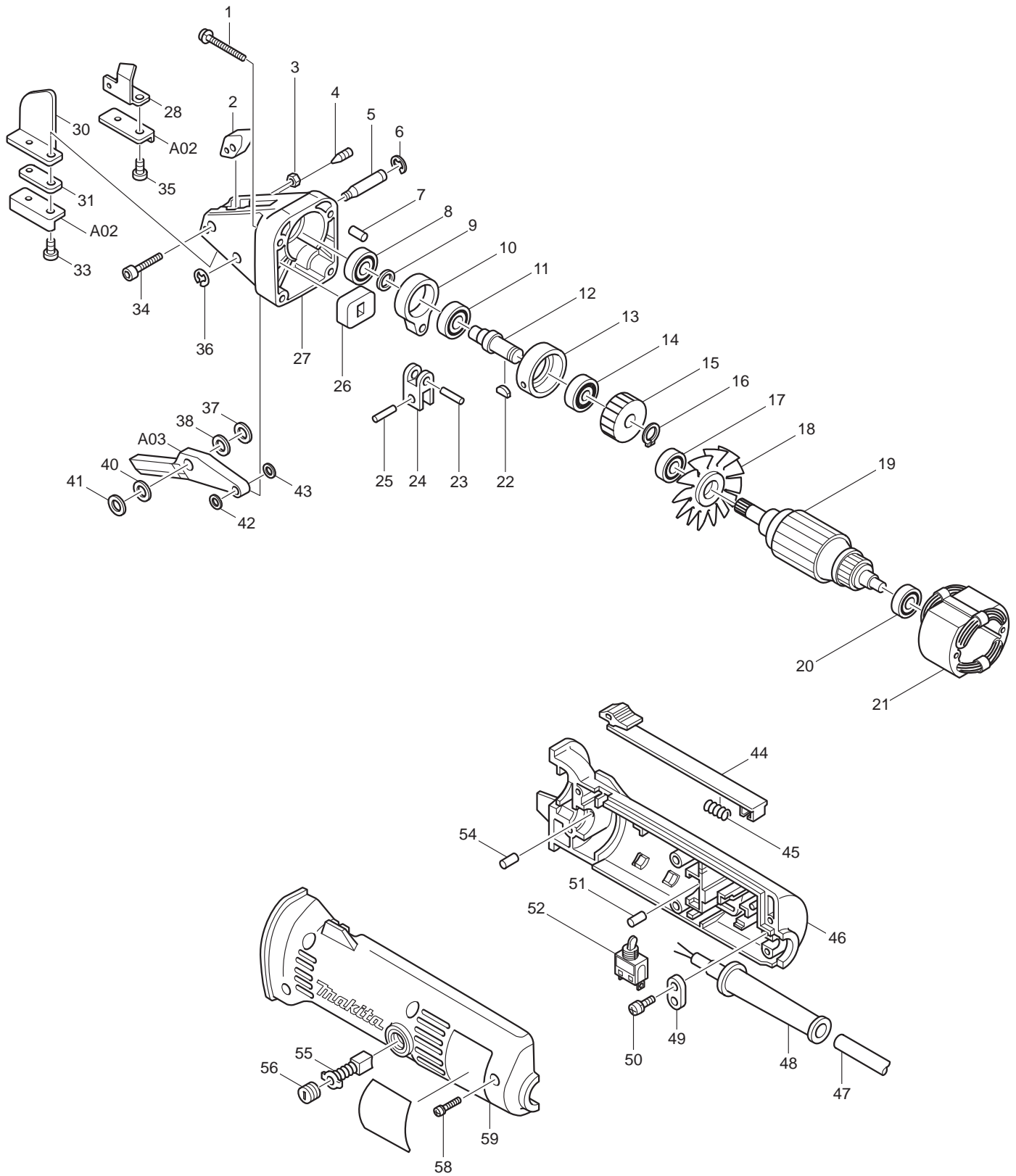




08 - 2010
JS1670
STRAIGHT SHEAR



| Item No. | Type | Sub | Part No. | Description | Qty | Unit |
|----------|------|------|----------|-------------------------------------|-----|------|
| 1 | | | 911161-0 | PAN HEAD SCREW M4X35 | 4 | PC. |
| 2 | 1 | | 331317-3 | * BLOCK | 1 | PC. |
| | | 2 | 325727-4 | * BLOCK | 1 | PC. |
| 3 | | | 252083-8 | HEX. LOCK NUT M4-7 | 1 | PC. |
| 4 | | | 265901-1 | -SET SCREW(CONE POINT)M5X12 | 1 | PC. |
| 5 | | | 256733-7 | PIN 7 | 1 | PC. |
| 6 | | | 961012-7 | STOP RING E-6 | 1 | PC. |
| 7 | | | 263002-9 | RUBBER PIN 4 | 1 | PC. |
| 8 | 1 | | 211026-9 | BALL BEARING 627LLB - N/LA | 1 | PC. |
| | | 2 | 210025-8 | BALL BEARING 627LLB | 1 | PC. |
| 9 | | | 253133-2 | FLAT WASHER 7 | 1 | PC. |
| 10 | | | 331273-7 | ROD | 1 | PC. |
| 11 | | | 211061-7 | BALL BEARING 6000LLB | 1 | PC. |
| 12 | | | 321850-3 | CRANK SHAFT | 1 | PC. |
| 13 | | | 315819-7 | BUSH | 1 | PC. |
| 14 | 1 | | 211063-3 | BALL BEARING 6000LB | 1 | PC. |
| | | 2 | 211061-7 | BALL BEARING 6000LLB | 1 | PC. |
| 15 | | | 221743-3 | HELICAL GEAR 44 | 1 | PC. |
| 16 | | | 961006-2 | RETAINING RING S-10 | 1 | PC. |
| 17 | | | 211033-2 | BALL BEARING 608LB | 1 | PC. |
| 18 | | | 241100-9 | FAN 52 | 1 | PC. |
| 19 | | | 511526-2 | ARMATURE ASS'Y 115V (OLD# 611526-3) | 1 | PC. |
| | | INC. | | Item No. 17,18,20 | | |
| 20 | 1 | | 211026-9 | BALL BEARING 627LLB - N/LA | 1 | PC. |
| | | 2 | 210025-8 | BALL BEARING 627LLB | 1 | PC. |
| 21 | | | 521526-4 | FIELD ASS'Y 115V (OLD# 621526-5) | 1 | PC. |
| | | INC. | 654018-9 | RING TERMINAL | 2 | PC. |
| | | INC. | 654501-6 | CONNECTOR P-1.25 | 2 | PC. |
| 22 | | | 254031-3 | WOODRUFF KEY 3 | 1 | PC. |
| 23 | | | 256155-1 | PIN 5 | 1 | PC. |
| 24 | | | 331329-6 | LINK | 1 | PC. |
| 25 | | | 256155-1 | PIN 5 | 1 | PC. |
| 26 | | | 423118-4 | DUST COVER | 1 | PC. |
| 27 | | | 157817-3 | CRANK HOUSING | 1 | PC. |
| | | INC. | 256180-2 | PIN 3 | 2 | PC. |
| | | INC. | | Item No. 7 | | |
| 28 | | | 343479-5 | SLIP PLATE R | 1 | PC. |
| 30 | | | 343480-0 | SLIP PLATE L | 1 | PC. |
| 31 | | | 343481-8 | SPACER | 1 | PC. |
| 33 | | | 251951-2 | HEX. SOCKET HEAD BOLT M5X10 | 1 | PC. |
| 34 | | | 922147-9 | HEX. SOCKET HEAD BOLT M4X25 | 1 | PC. |
| 35 | | | 251951-2 | HEX. SOCKET HEAD BOLT M5X10 | 1 | PC. |
| 36 | | | 961011-9 | STOP RING E-4 | 1 | PC. |
| 37 | | | 261065-9 | TEFLON WASHER 7 | 1 | PC. |
| 38 | | | 253338-4 | THIN WASHER 7 | 1 | PC. |
| 40 | | | 253338-4 | THIN WASHER 7 | 1 | PC. |
| 41 | | | 261065-9 | TEFLON WASHER 7 | 1 | PC. |
| 42 | | | 267010-2 | FLAT WASHER 5 | 1 | PC. |
| 43 | | | 267010-2 | FLAT WASHER 5 | 1 | PC. |
| 44 | | | 410529-2 | SWITCH ROD | 1 | PC. |
| 45 | | | 231223-1 | COMPRESSION SPRING 6 | 1 | PC. |
| 46 | | | 181848-0 | HOUSING SET | 1 | SET |
| | | INC. | 643557-4 | BRUSH HOLDER 5-8 | 2 | PC. |
| | | INC. | | Item No. 51,54,59 | | |
| 47 | | | 664064-4 | CORD W/PLUG 2P-18-2.5M, SJ | 1 | PC. |
| 48 | | | 682502-4 | CORD GUARD 8-85 | 1 | PC. |
| 49 | | | 687002-9 | STRAIN RELIEF | 1 | PC. |

| Item No. | Type | Sub | Part No. | Description | Qty | Unit |
|----------|------|------|----------|---|-----|------|
| 50 | | | 911133-5 | PAN HEAD SCREW M4X18 | 2 | PC. |
| 51 | | | 263002-9 | RUBBER PIN 4 | 1 | PC. |
| 52 | 1 | | 651403-7 | SWITCH ST115A-31 | 1 | PC. |
| | 2 | | 651433-8 | SWITCH ST115A-31 | 1 | PC. |
| 54 | | | 263002-9 | RUBBER PIN 4 | 1 | PC. |
| 55 | 1 | | 191947-0 | CARBON BRUSH CB-76 2PC/SET (W/O ORIGIN) | 1 | SET |
| | 2 | | 194972-0 | CARBON BRUSH CB-76 2PC/SET (W/ ORIGIN) | 1 | SET |
| 56 | | | 643550-8 | BRUSH HOLDER CAP 5-8 | 2 | PC. |
| 58 | | | 911158-9 | PAN HEAD SCREW M4X30 | 5 | PC. |
| 59 | | | 181848-0 | HOUSING SET | 1 | SET |
| | | INC. | 643557-4 | BRUSH HOLDER 5-8 | 2 | PC. |
| | | INC. | | Item No. 46.51.54 | | |
| 60 | | | 410048-8 | WRENCH HOLDER 3.4 | 1 | PC. |
| 100 | | | 652008-6 | P.H. SCREW M3.5 X 7 | 2 | PC. |
| 101 | | | 654037-5 | INSLTED TERMINAL FK1.25-M3 | 2 | PC. |
| 102 | | | 654509-0 | CLOSED END TERMINAL 2-SD | 1 | PC. |

ACCESSORIES

| | | | | | | |
|-----|--|--|----------|----------------|---|-----|
| A01 | | | 783201-2 | HEX. WRENCH 3 | 1 | PC. |
| A02 | | | 792536-0 | SIDE BLADE SET | 1 | SET |
| A03 | | | 792537-8 | CENTER BLADE | 1 | PC. |

SERVICE CHANGES

1. Changes on Block

| Item No. | Description | Type 1 | Type 2 |
|----------|-------------|----------|----------|
| 2 | Block | 331317-3 | 325727-4 |

